

Target model H1M

Designed for air and cal .22 LR weapons.
Detection area of 22x22 cm, enabling shooting distance up to 15m for pistol, and 50m for rifle.
LED illumination of target face is an option.

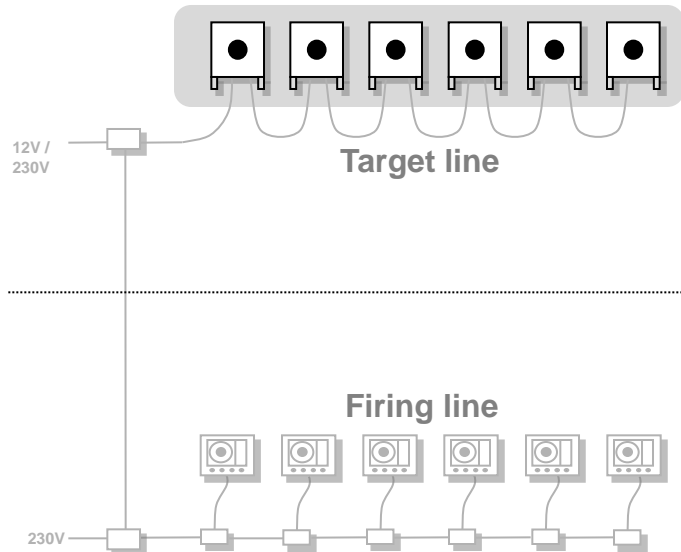
The target has integrated target electronics and is compatible with all other relevant KTS equipment, including the PC-Target software for home use.

Construction of the target is done with reliability and easy maintenance in mind.

The target can be equipped with a target lift, integrated to the system, making it easy for three position short range shooters to use the system.

The target is easy and quick to maintain. The target front can easily be opened for exchanging templates or paper strip/rubber band without any use of tools.

Must be weather protected if used outdoors.



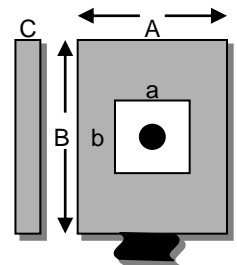
Recommended use:

- 10 – 15m air rifle
- 10 – 50m rifle, cal .22LR
- 10 – 15m pistol, air and cal .22 LR

Technical :

Dimensions:

A	295 mm
B	515 mm
C	75 - 150 mm
a	220 mm
b	220 mm



Rolls..... Paper: 95 or 188mm width, 40m per roll
Rubber: 123 or 188mm width, 9m per roll

Temperature range -15°C to +50°C

Weight without rolls/ricochet protection..... 4.8 kg

Supplementary Equipment:

- LED illumination of target face
- Target lift
- Ricochet protection for cal.22 LR
- Bullet trap for air weapons

