

Target model U5A

Target from Kongsberg Target Systems AS, designed for 100-300m ranges with supersonic ammunition.

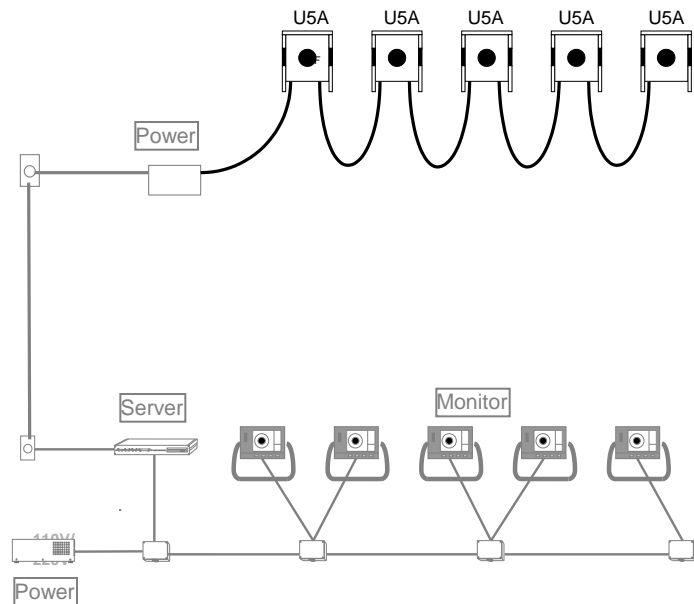
Normal aiming points and human/animal targets can be mounted.

The target frame is made of solid wood.

3 sensors are mounted at the bottom of the target, with inspection opening in front and rear.

The lowest 20 cm of the acoustic measuring chamber, has to be covered in front in order to secure the sensors.

The target has an adjustable horizontal and vertical rubber band to seal the acoustic chamber.



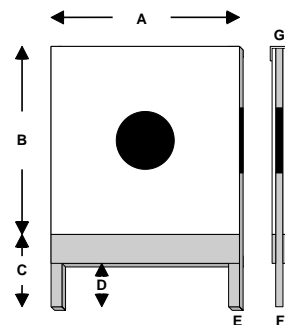
Recommended use :

- 100m – 200m - 300m (supersonic ammunition).
- Running target (Moose, deer, human etc.)

Technical :

Dimensions:

A	1300 mm
B	1300 mm
C	500 mm
D	300 mm
E	68 mm
F	36 mm
G	92 mm



Temperature range -40°C till + 70°C

Weight..... Approx. 30 kg

Supplementary equipment :

- Running target (Moose, deer, human etc.)

